

High Voltage DC Contactor

SGX150 150A CERAMIC BI-DIRECTIONAL CONTACTOR



The SGX150 Aux series utilizes ceramic to metal weld technology and offers optimal breaking capability for applications up to 1000V and 150A continuous current carry, with an efficient design, effective and reliable switching, longevity, and a square form-factor.

With a strong performance-to-cost ratio, the SGX150 Aux series is ideal for a wide range of applications like residential energy storage systems, DC fast charging stations, and industrial applications such as electric forklifts and Automated Guided Vehicles (AGV).

SPECIFICATIONS

Contact data

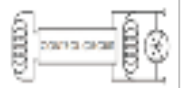
Specifications	Data
Contact Arrangement	1 Form A
Contact Resistance	≤0.2mΩ @ 200A
Rated Load Current	150A(@50mm ² wire)
Rated Switching Voltage	1000Vdc
Max. Breaking Current	450A(1000Vdc),1cycle
Aux Load	5V/100mA (Rated)
	5V/3mA (Min.)

Characteristics

Specifications	Data	
Dielectric Strength	Between Open contacts	4300Vac, 1min
	Between Coil&Contacts	4300Vac, 1min
Insulation Resistance	1000MΩ at 1000Vdc	
Operate Time (at nomi. volt.)	≤ 30ms	
Release Time (at nomi. volt.)	≤ 10ms	
Vibration Resistance (sine)	10Hz~500Hz, 98m/s ²	
Shock Resistance	Functional Open:	196m/s ²
	Functional Close:	490m/s ²
	Destructive:	490m/s ²
Ambient Temperature	-40°C~85°C	
Humidity	5% RH~85% RH	
Termination	M6 female screw	
Mounting	M5 screw	
Unit Weight	Approx.320g	
Outline Dimensions	87.8mm X 39mm X 70mm	



Coil

Specifications	Data
Coil Voltage, Nominal (Vdc)	24
Coil Type	Dual
Coil Voltage, Max (V)	32
Pick-Up Voltage, Max (V)	14
Drop-Out Voltage, Max (V)	11
Pick-Up Current, Max (A)(75 ms)	0.54
Coil Current (A)	0.125
Coil Power (w)	3
Internal Coil Suppression	TVS 

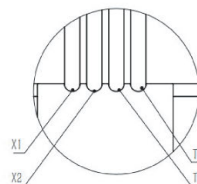
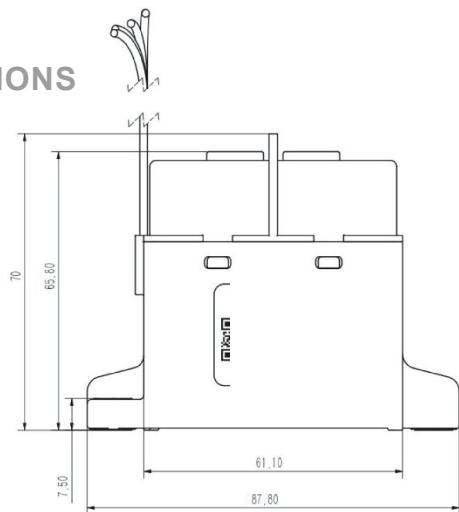
Endurance

Specifications	Data	
Electrical Endurance	Capacitive load	Switch on: 2 x 10 ⁴ cycles (37.5Vdc, C=1100uF, inrush 400A, steady 150A)
	Resistive load	Switch: 1000cycles (1000Vdc, 150A) Switch: 6000 cycles (1000Vdc, 30A)
Current Endurance		150A, cont.
		250A, 15min
		320A, 5min
		600A, 20s
		900A, 5s
Short Circuit Current		4000A, 20ms, 1 cycle
		6000A, 5ms, 1 cycle (no smoke, no fire)
Mechanical Endurance	3.5x10 ⁵ cycles, on-off ratio: 0.5s : 0.5s	

Notes:

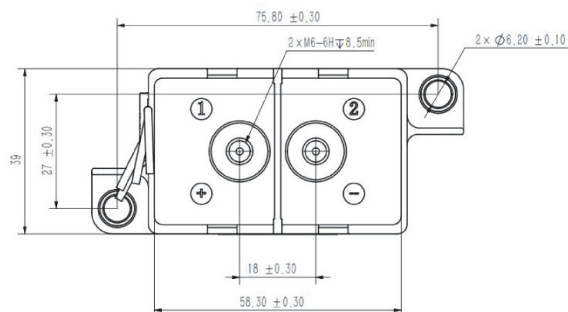
- Until special statement, the temperature of electrical endurance is at 23°C and the on-off ratio is 0.6s: 5.4s.
- Coil is not connected to surge suppressor during tests. Attention: If the coil is used in parallel with the diode, the release time of the contactor will be prolonged and the service life will be reduced.

DIMENSIONS



Coil Connection:
X1(+)=RED WIRE, 30cm(12in)
X2(-)=BLACK WIRE, 30cm(12in)

AUX Connection:
T1=BLUE WIRE, 30cm(12in)
T2=WHITE WIRE, 30cm(12in)



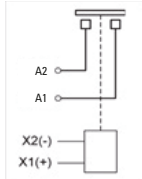
General Tolerance	
Outline Dimension	Tolerance
≤10mm	±0.3mm
10mm-50mm	±0.6mm
>50mm	±1.0mm



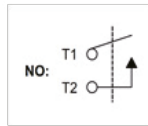
● INSTALLATION

① Wiring Diagram

Power Contacts



Auxiliary Contacts



② Installation Torque

Load Terminal Installation				
Installation Mode	Screw Installation Depth	Torque	Copper Busbar Diameter	Copper Busbar Thickness
M6 Screw	7.0mm~8.5mm	6N·m~8N·m	6.0mm~6.5mm	2.0mm~3.0mm

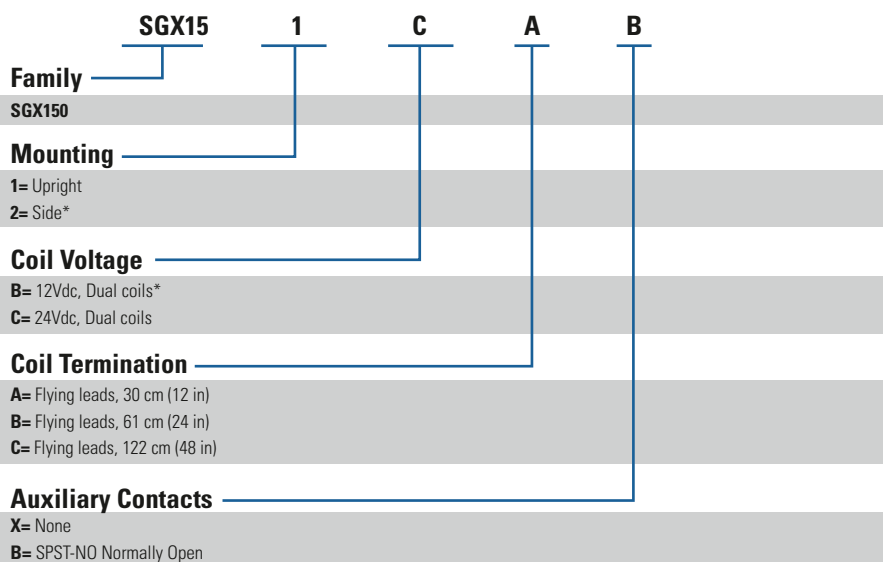
Contactor Installation	
Installation Mode	Torque
M5 Screw	3N·m~4N·m

Note:

- In order to prevent loosening, please use extra washer when installing relay: spring washer + flat washer.
- Please avoid grease and other foreign matter in the terminal, please use the connecting wire with a cross section area $\geq 50\text{mm}^2$, otherwise they may cause abnormal heating in the terminal part.
- When installing the contactor at the load using an electric screwdriver, it is recommended to use a three stage step speed mode: the first stage 35rpm, the second stage (100-150) rpm, and the third stage 35rpm.

● ORDERING OPTIONS

Example SGX151CAB



Note*:
in development



WARNINGS



RISK OF MATERIAL DAMAGE AND HOT ENCLOSURE

- The product's side panels may be hot, allow the product to cool before touching
- Follow proper mounting instructions including torque values
- Do not allow liquids or foreign objects to enter this product

Failure to follow these instructions can result in serious injury, or equipment damage.



HAZARD OF ELECTRIC SHOCK, EXPLOSION OR ARC FLASH

- Disconnect all power before installing or working with this equipment
- Verify all connections and replace all covers before turning on power

Failure to follow these instructions will result in death or serious injury.

Sensata Technologies, Inc. ("Sensata") datasheets are solely intended to assist designers ("Buyers") who are developing systems that incorporate Sensata products (also referred to herein as "components"). Buyer understands and agrees that Buyer remains responsible for using its independent analysis, valuation, and judgment in designing Buyer's systems and products. Sensata datasheets have been created using standard laboratory conditions and engineering practices. Sensata has not conducted any testing other than that specifically described in the published documentation for a particular datasheet. Sensata may make corrections, enhancements, improvements, and other changes to its datasheets or components without notice.

Buyers are authorized to use Sensata datasheets with the Sensata component(s) identified in each particular datasheet. HOWEVER, NO OTHER LICENSE, EXPRESS OR IMPLIED, BY ESTOPPEL OR OTHERWISE TO ANY OTHER SENSATA INTELLECTUAL PROPERTY RIGHT, AND NO LICENSE TO ANY THIRD PARTY TECHNOLOGY OR INTELLECTUAL PROPERTY RIGHT, IS GRANTED HEREIN. SENSATA DATASHEETS ARE PROVIDED "AS IS". SENSATA MAKES NO WARRANTIES OR REPRESENTATIONS WITH REGARD TO THE DATASHEETS OR USE OF THE DATASHEETS, EXPRESS, IMPLIED, OR STATUTORY, INCLUDING ACCURACY OR COMPLETENESS. SENSATA DISCLAIMS ANY WARRANTY OF TITLE AND ANY IMPLIED WARRANTIES OF MERCHANTABILITY, FITNESS FOR A PARTICULAR PURPOSE, QUIET ENJOYMENT, QUIET POSSESSION, AND NON-INFRINGEMENT OF ANY THIRD PARTY INTELLECTUAL PROPERTY RIGHTS WITH REGARD TO SENSATA DATASHEETS OR USE THEREOF.

All products are sold subject to Sensata's terms and conditions of sale supplied at www.sensata.com. SENSATA ASSUMES NO LIABILITY FOR APPLICATIONS ASSISTANCE OR THE DESIGN OF BUYERS' PRODUCTS. BUYER ACKNOWLEDGES AND AGREES THAT IT IS SOLELY RESPONSIBLE FOR COMPLIANCE WITH ALL LEGAL, REGULATORY, AND SAFETY-RELATED REQUIREMENTS CONCERNING ITS PRODUCTS, AND ANY USE OF SENSATA COMPONENTS IN ITS APPLICATIONS, NOTWITHSTANDING ANY APPLICATIONS-RELATED INFORMATION OR SUPPORT THAT MAY BE PROVIDED BY SENSATA.

Mailing Address: Sensata Technologies, Inc., 529 Pleasant Street, Attleboro, MA 02703, USA

CONTACT US

Americas

Sensata GIGAVAC
Contactor Center of Excellence
6382 Rose Lane
Carpinteria, CA 93013
USA
Tel: +1(805) 684 8401
Email: gigavac@sensata.com
Sensata Global Headquarters
Sensata Technologies
529 Pleasant Street
Attleboro, MA 02703
USA

Europe, Middle East & Africa

Sensata Technologies Holland B.V.
Jan Tinbergenstraat 80
7559 SP Hengelo
The Netherlands
Tel: +31743578000
Email: gigavac-info-eu@list.sensata.com

Asia Pacific

China
Sensata Technologies China Co.,Ltd.
BM Intercontinental Business Center
30th Floor
100 Yu Tong Road
Shanghai 200070
People's Republic of China
Tel: +8621 2306 1500
Email: contactorasia@list.sensata.com
Japan
Sensata Technologies Japan Ltd.
Shin Yokohama Square Bldg.7F
2-3-12 Shin-yokohama
Kohoku-ku, Yokohama-shi,
Kanagawa 222-0033
Tel: +81 45 277 7001
Email: contactorasia@list.sensata.com